

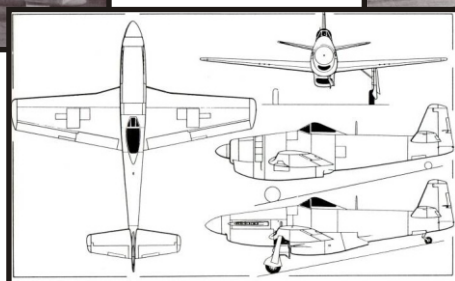


Card model

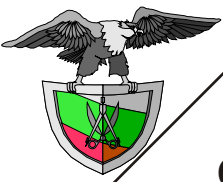
CAC CA-15

KANGAROO

SCALE 1:48



Wingspan	10.97 meters
Length	11.03 meters
Height	4.34 meters
Wing surface	23.50 sq m.
Empty weight	3 420 kg
Engine	1 PE Rolls-Royce Griffon
Power	1 Y 2305
Maximum speed	721 kph
Maximum range	1 850 km
Armament	6 12.7-mm machine-guns



Overview of the model:

The present model can be built in several levels of difficulty. The beginners should choose the easy level, without hidden constructions. For the more advanced modelers I have given the opportunity to build light interior and detailed gears and exhaust pipes. To model the interior, you need to build a hidden construction, which is easy to make. You can build the model with or without hidden tabs.

This model is absolutely free and I designed it to give you a sample of my new line models. I have left it in black and white variant. You can try and do artwork yourself. Also cockpit interior can be developed.



Instructions on printing and assembling the model

The elements of the plane cover five pages. Depending of the level of diifficulty you must print all pages or just a part of them. The elements are positioned in the following manner:

Pages 1,2 and 3: main elements; these pages must all be printed out.

Page 4 : Here are the elements needed for modeling the advanced version.

Page 5: Additional tabs

Print the necessary files on thin cardboard, Letter format. On page 4 you'll find an area with red borders, cut it and glue it on a thick cardboard (0.02" thick for example). Then you can cut out the elements from this area.

Each element has an identificator, which is a combination of a capital letter and a number, which may be followed by a small letter. The capital letters designate the group of the element and the number and the small letter the ID of the element in the group. The groups are as follows:

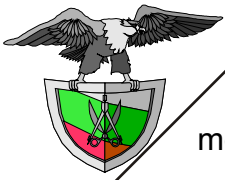
A main elements, needed for all the difficulty levels

C elements for the hidden construction and the interior of the cockpit

E elements for the exhaust pipes and advanced version of propeller blades

G elements for the detailed gears

The additional tabs have no identifiers, but you'll find on them the IDs of the elements they are used to assemble.



On the first three pages the tabs have either black or green borders. The black border means that this tab is in use, whether you use the additional tabs or not. The green border means that the tab is used only if you do not use additional tabs. If you use them, cut out the green-bordered tabs. At the end you'll find a table with the IDs, locations and the quantity of the elements.

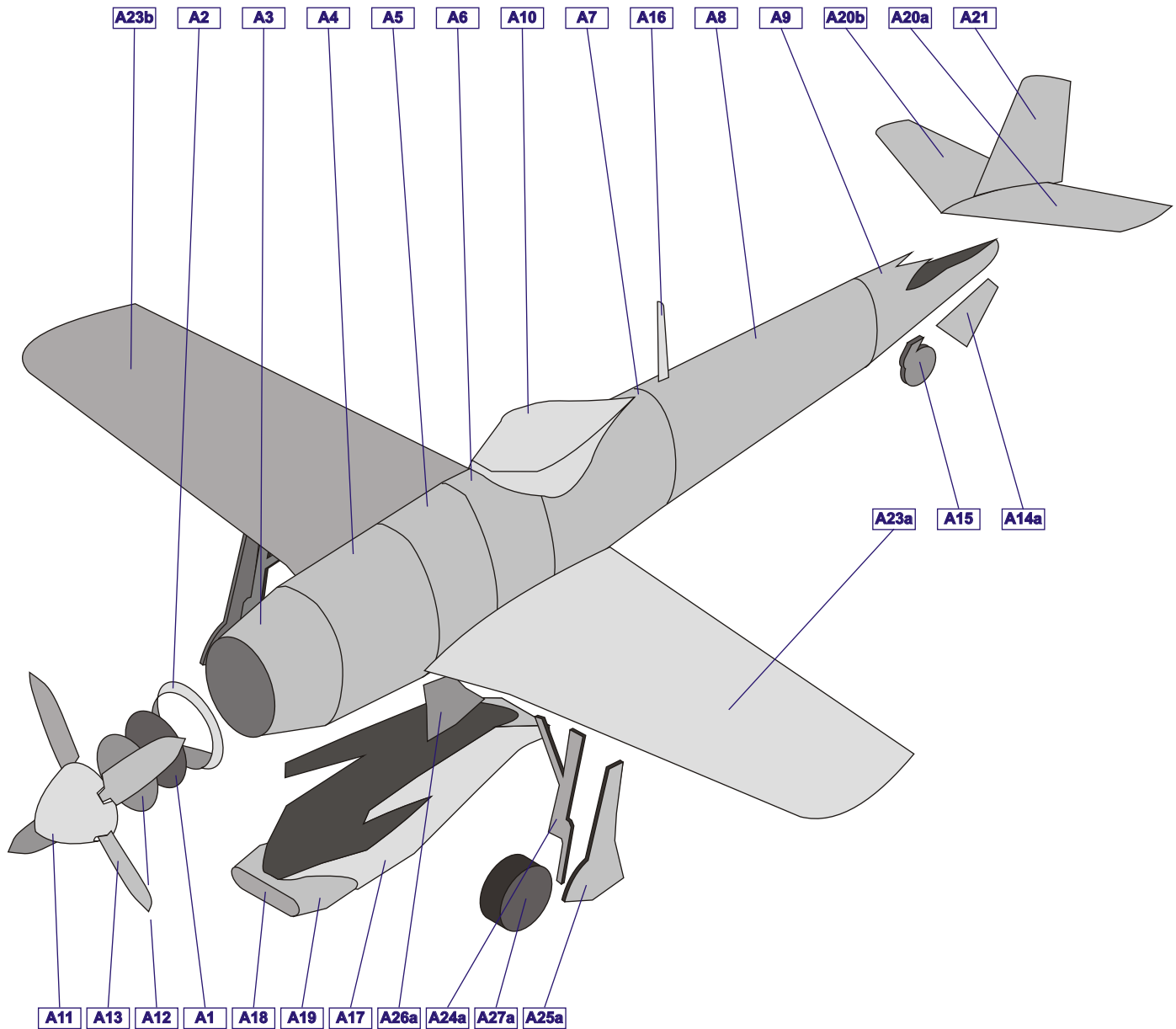


Fig. 1

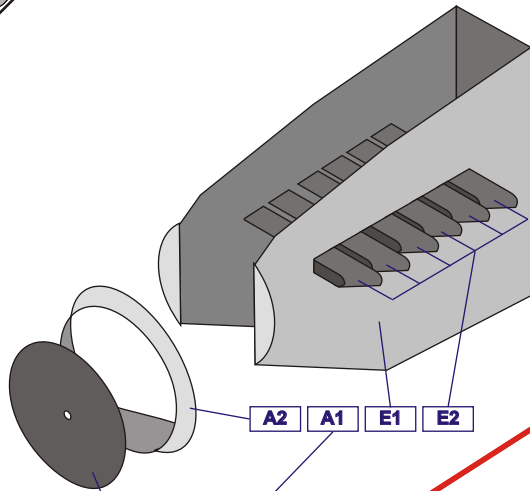
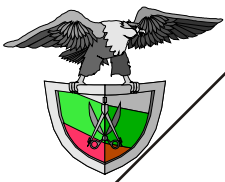


Fig. 2

Mount the tail gear on the fuselage before mounting the vertical stabilizer.

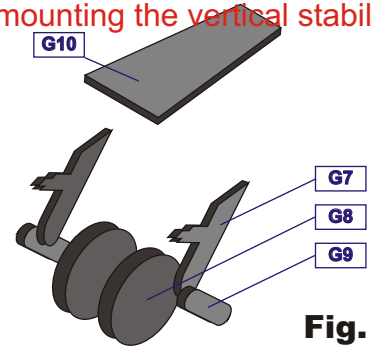


Fig. 3

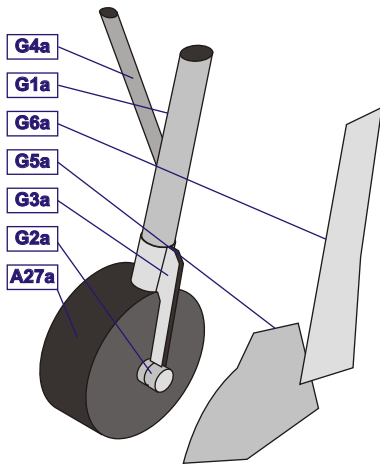


Fig. 4

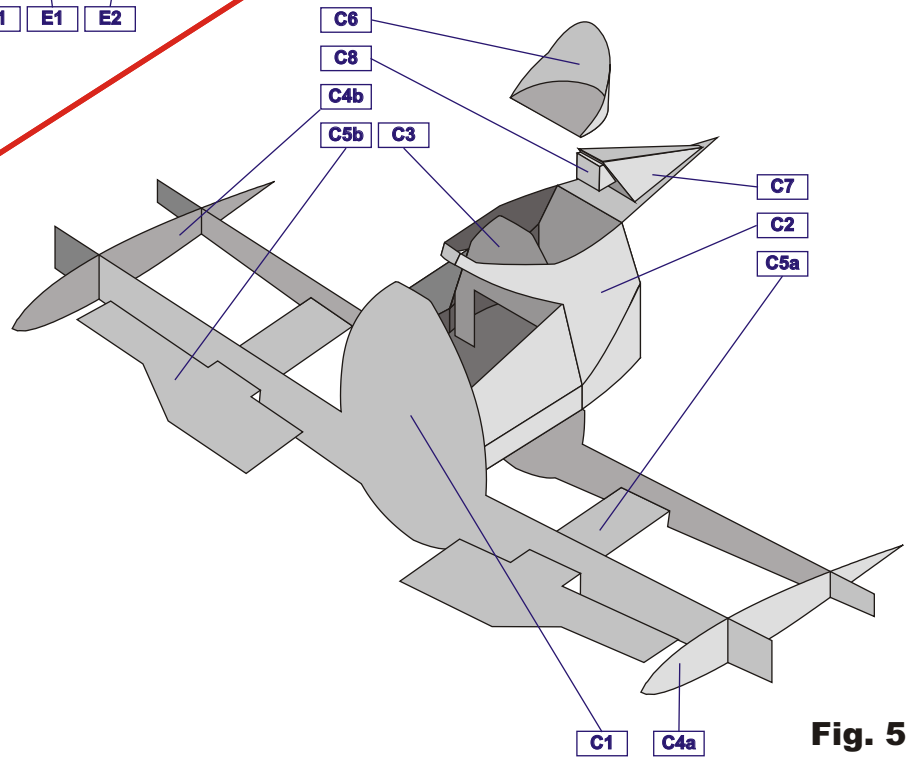


Fig. 5

Fig.1 Shows the elements and the assembly of the EASY version of the model.

The following schemes show the assembly of the ADVANCED version.

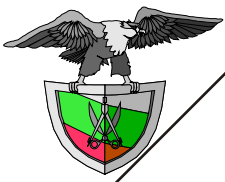
Fig.2 Shows how to assemble exhaust pipes

Fig.3 How to assemble the gear at the tail

Fig.4 Assembly of the main gears

Fig.5 Assembly of the hidden construction





Element ID	Location (Page#)	Quantity
A1	1	1
A2	1	1
A3	1	1
A4	1	1
A5	1	1
A6	1	1
A7	1	1
A8	1	1
A9	1	1
A10	1	1
A11	1	1
A12	1	1
A13	1	4
A14a	1	1
A14b	1	1
A15	1	1
A16	1	1
A17	2	1
A18	2	1
A19	2	1
A20a	2	1
A20b	2	1

Element ID	Location (Page#)	Quantity
A21	2	1
A22a	3	1
A22b	3	1
A23a	3	1
A23b	3	1
A24a	3	1
A24b	3	1
A25a	3	1
A25b	3	1
A26a	3	1
A26b	3	1
A27a	3	1
A27b	3	1
C1	4	1
C2	4	1
C3	4	1
C4a	4	1
C4b	4	1
C5a	4	1
C5b	4	1
C6	4	1
C7	4	1

Element ID	Location (Page#)	Quantity
C8	4	1
E1	4	1
E2	4	6
E3	4	4
E4	4	4
G1a	4	1
G1b	4	1
G2a	4	1
G2b	4	1
G3a	4	1
G3b	4	1
G4a	4	1
G4b	4	1
G5a	4	1
G5b	4	1
G6a	4	1
G6b	4	1
G7	4	2
G8	4	2
G9	4	2
G10	4	1

Have fun with this model!!!

