

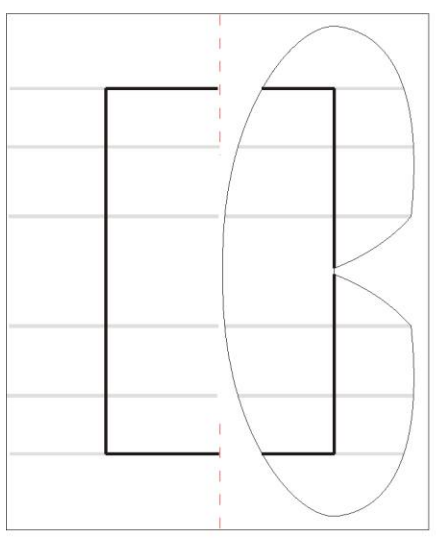
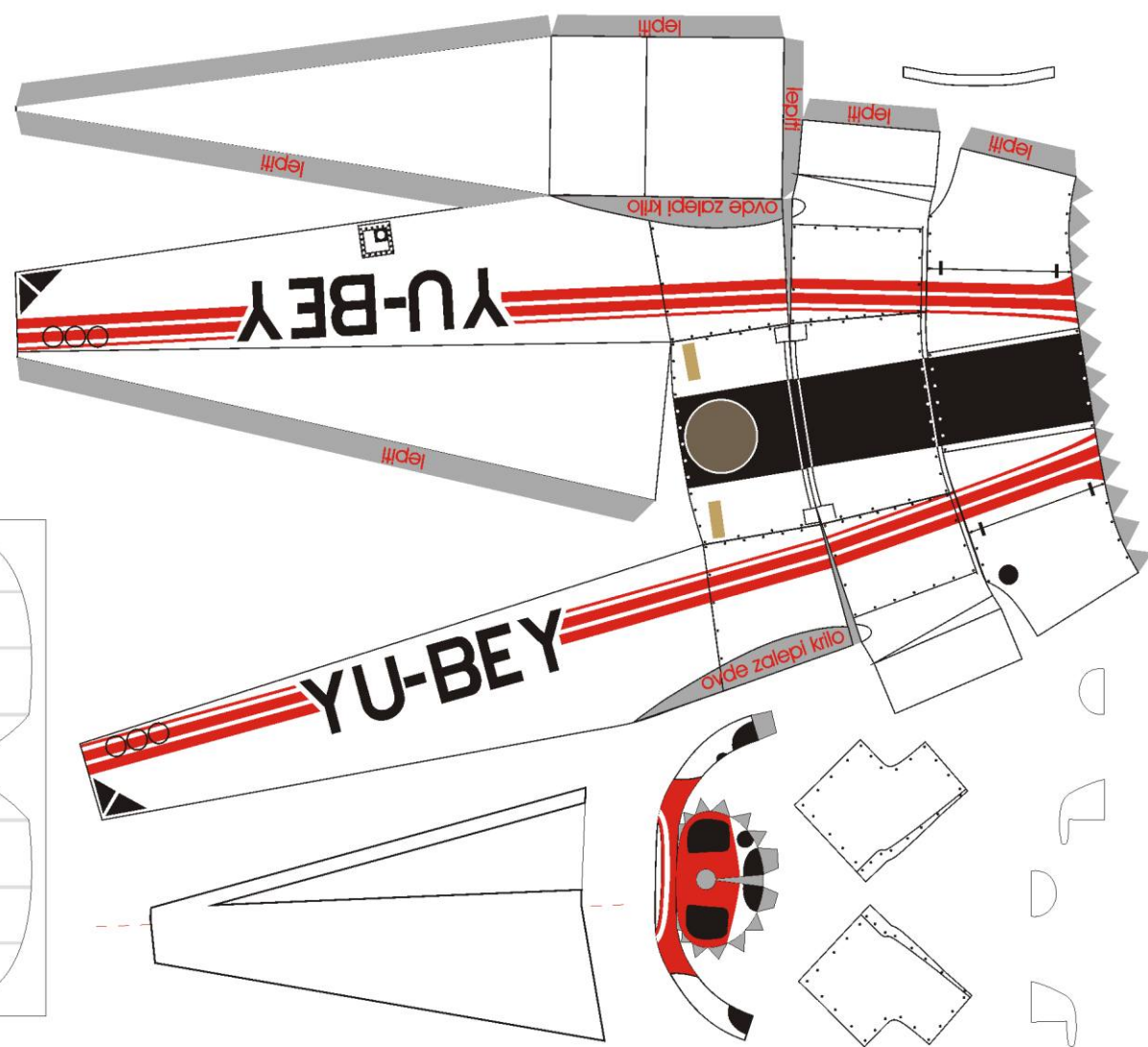
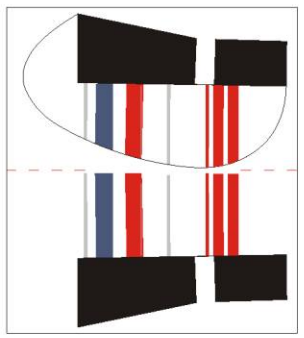
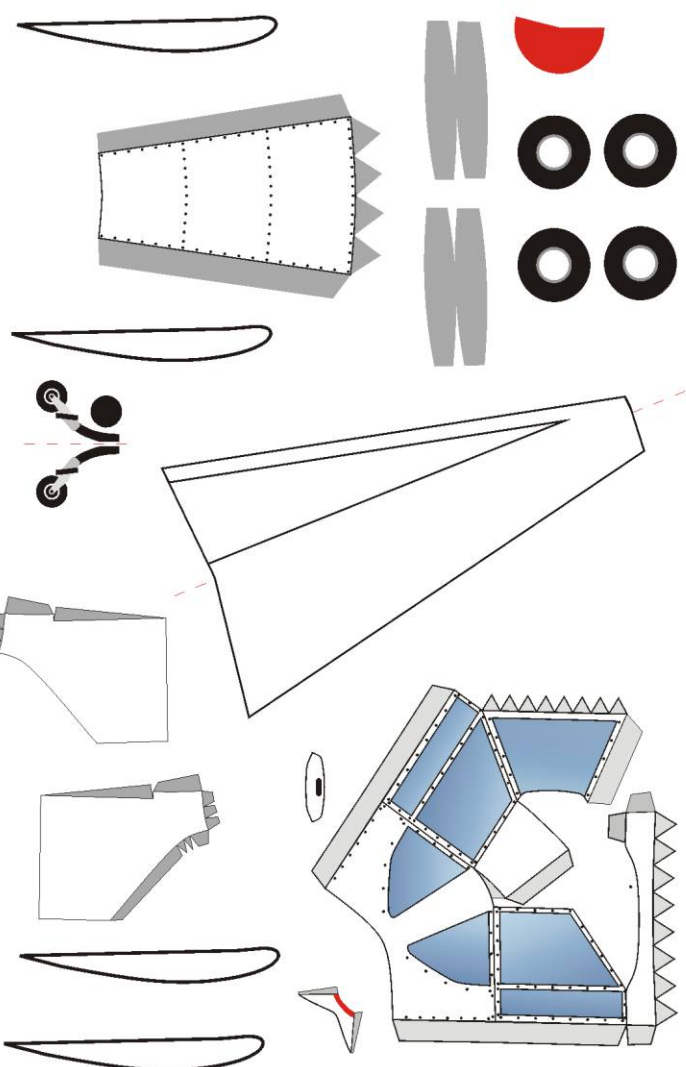
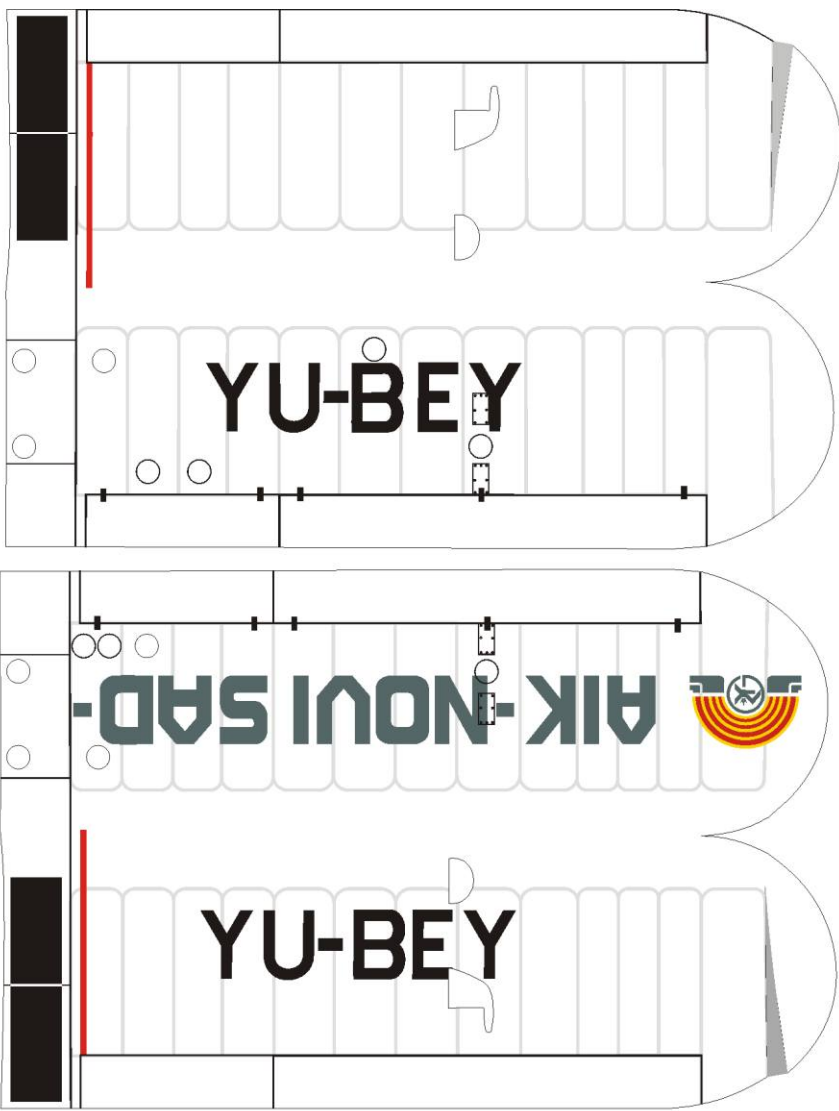
Piper

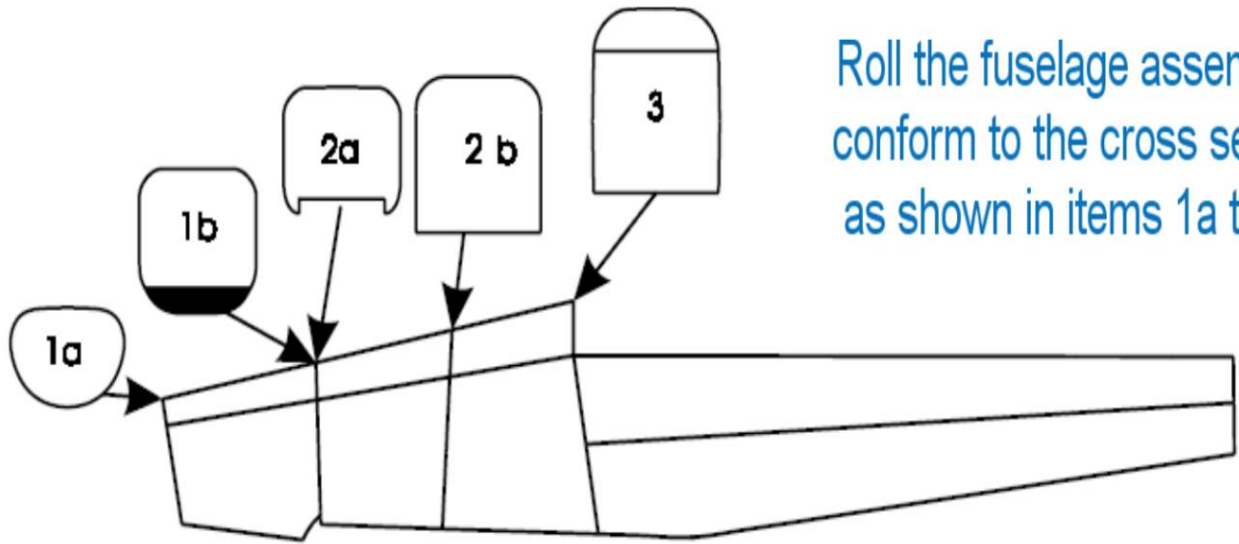
Pawnee



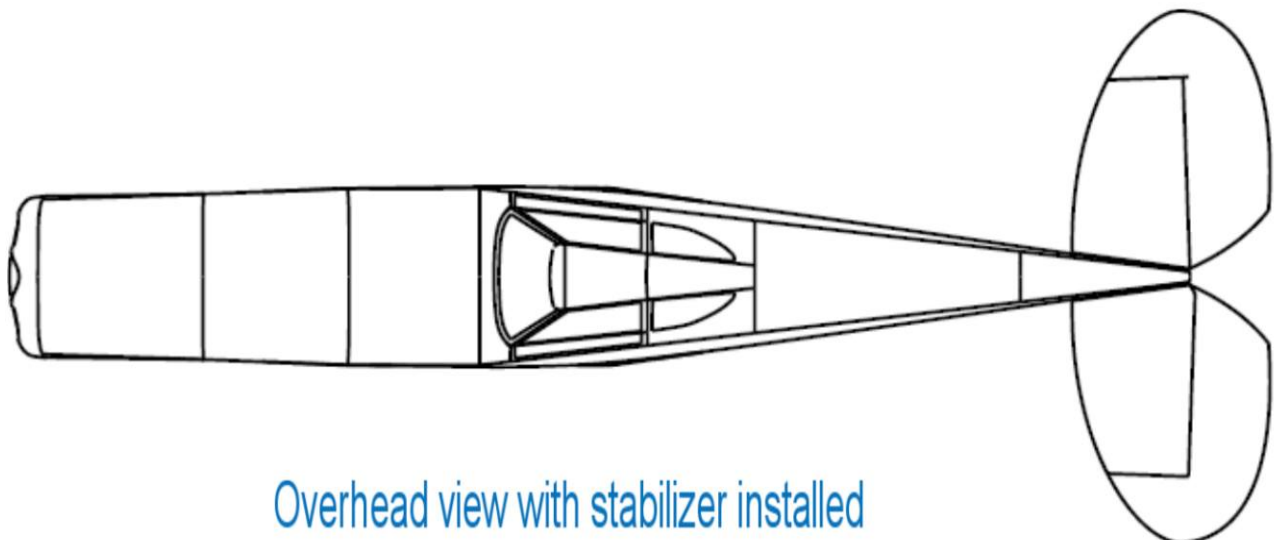
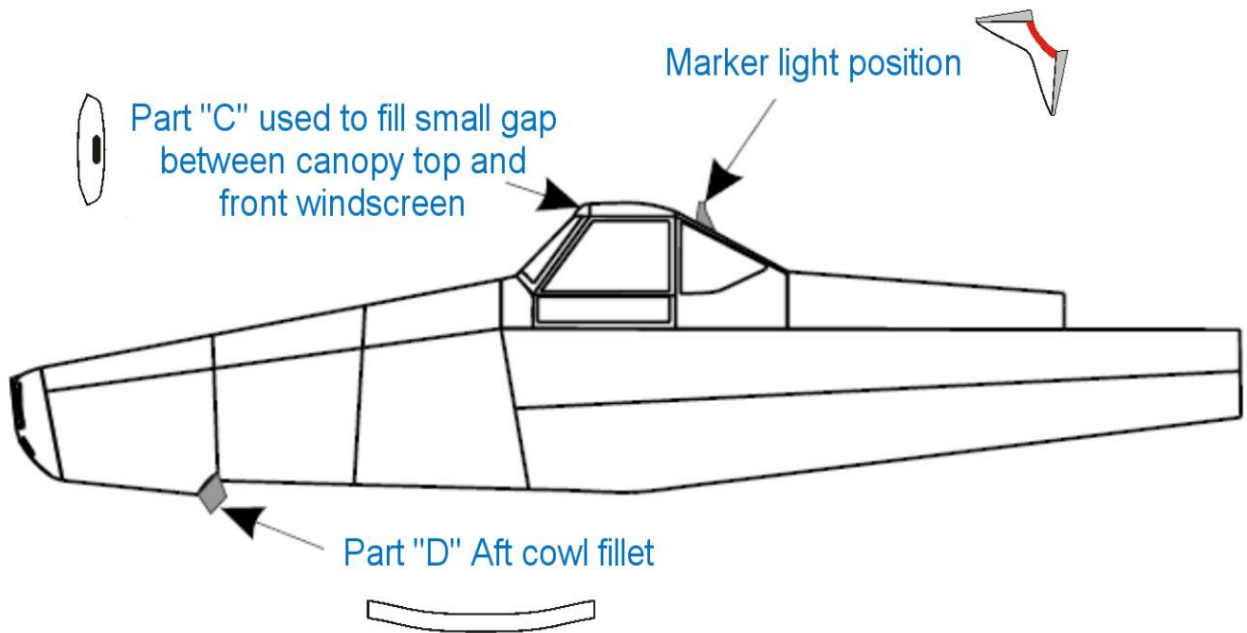
Modeled in 1:48-scale for your building pleasure
and intended for the moderate builder.

Model designed by Zoran Sivcev (c)2003





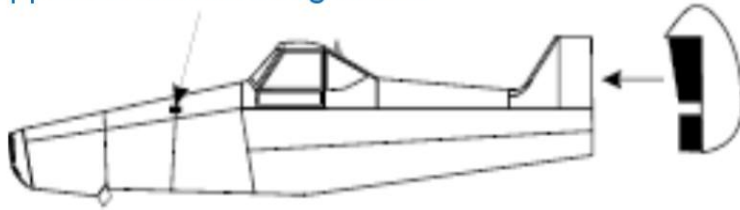
Roll the fuselage assembly to conform to the cross sections as shown in items 1a thru 3.



Overhead view with stabilizer installed

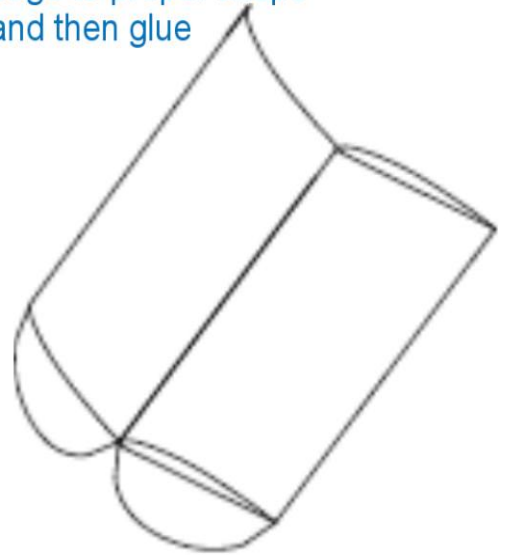
Cut slot at indicated point for upper wing brace.

Upper location for wing brace.



Install canopy, turtle deck and leading portion of rudder to fuselage. Install rear of rudder as shown.

Insert ribs as indicated and roll leading edge to proper shape and then glue

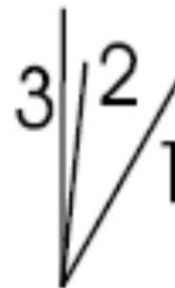


Wing fillet

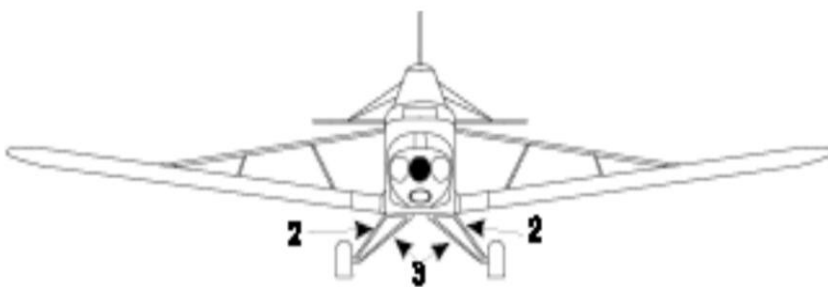
ZALEPI KOBILA NA TRUP NA OZNACENOM MESTU NA TRUPU, UGRADI UPORNICE I STREJKOVE

Glue lower wing braces here and attach cover plates as shown. Wing brace brackets attach here

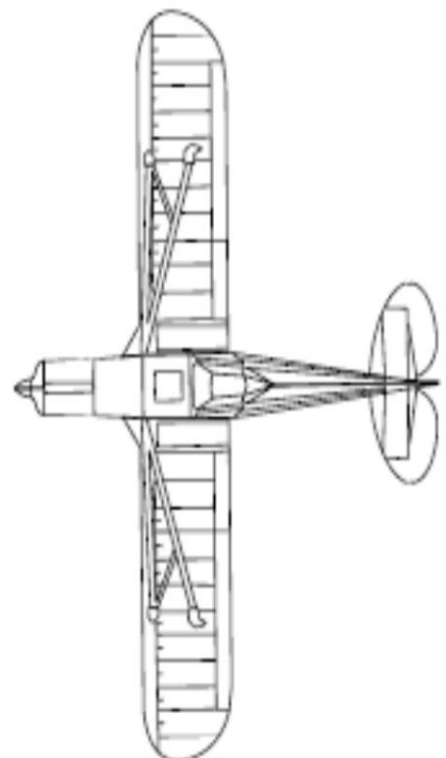
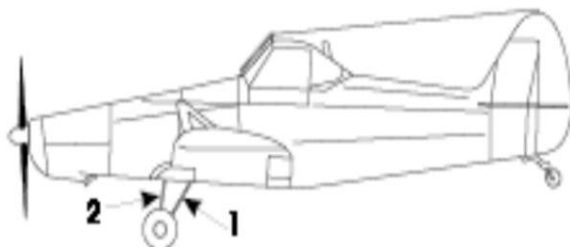
- 1 19MM
- 2 15MM
- 3 17MM



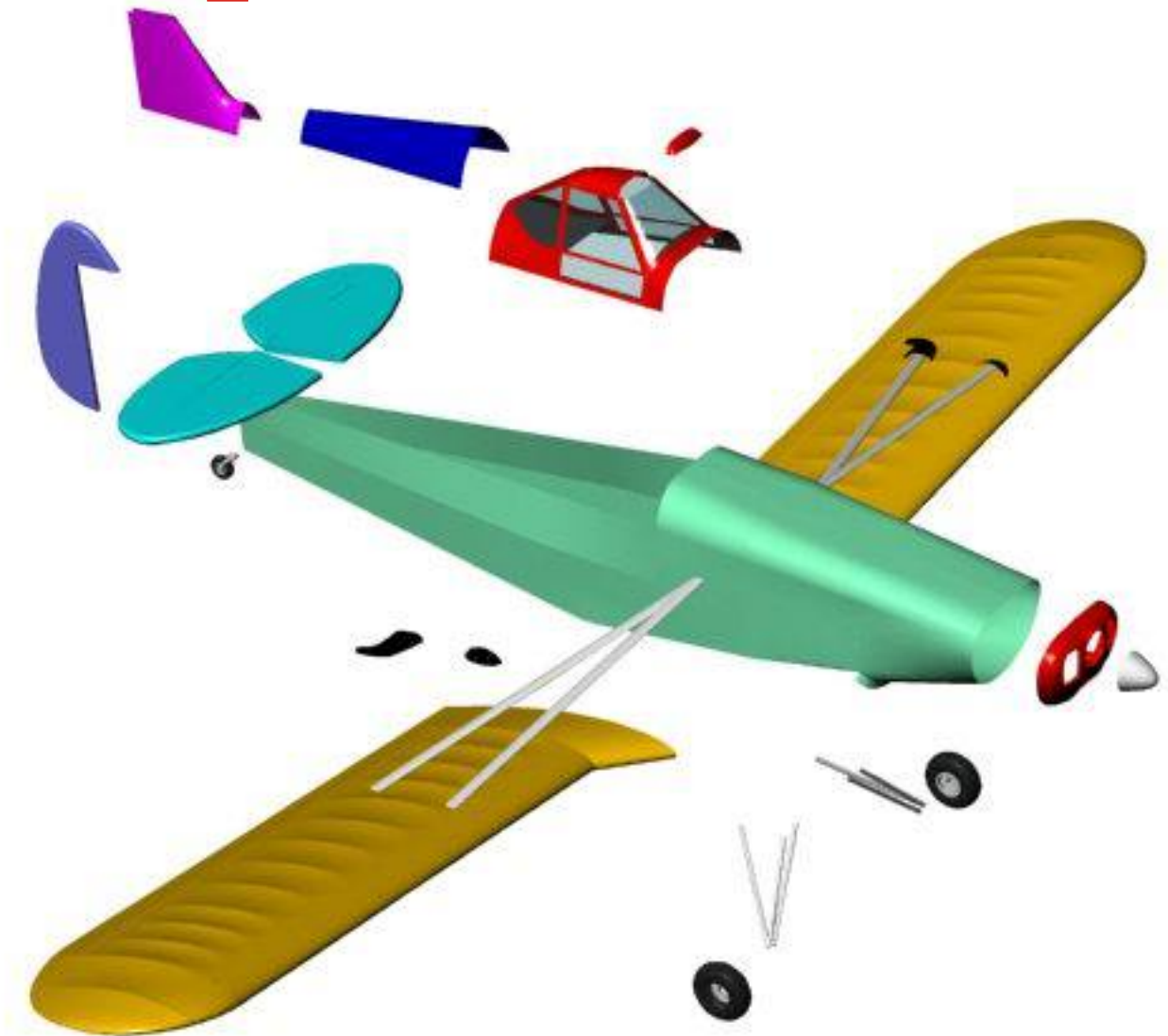
Landing gear is constructed from rolled paper and wire cut to the lengths specified.



Three view for landing gear and brace location.



Piper Pawnee



This exploded view of all major components will assist in construction of this model.